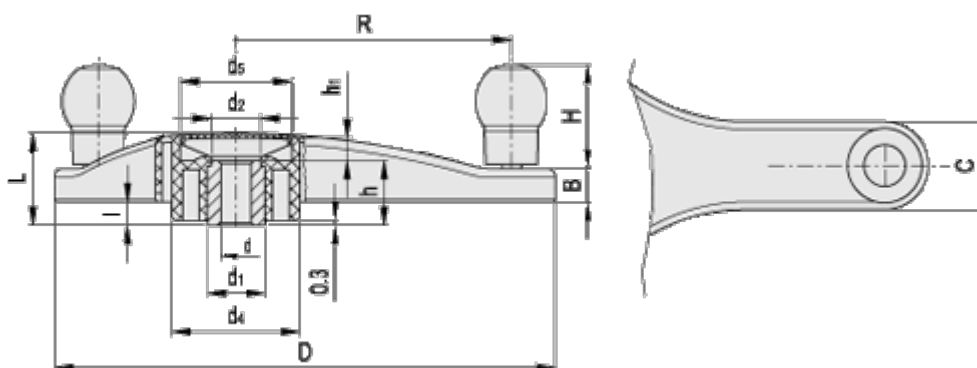


# Data Sheet



Article number: 23102083116  
Description: E+G Handwheel  
EYK.400+I A-20-C6

## Measures



B	= 21	H	= 65
C	= 55	h	= 38
D	= 400	h1	= 14
d1	= 35	l	= 12.0
d2	= 33	L	= 54
d4	= 80	R	= 172.5
d5	= 70		
d h7	= 20		